



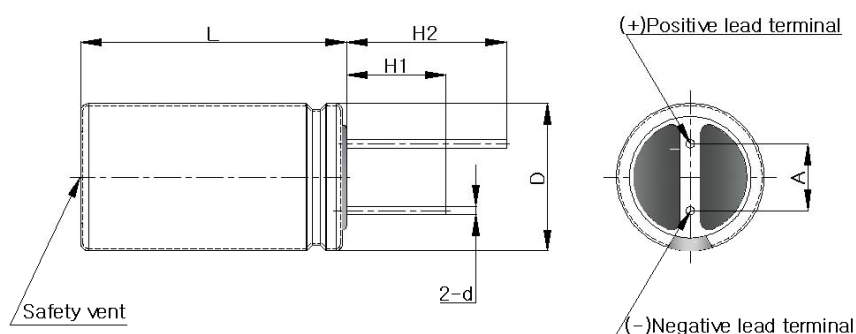
NESSCAP® Ultracapacitor Products

Features

EDLC(Electric Double Layer Capacitor)
Two lead terminals and radial design
Compliant with RoHS requirement (Ex : Cd, Pb)

Dimension

Dimension in mm (not to scale)



Capacitance	Dimension (mm)					
	D (+0.5)	L (+1.5)	H1 (min)	H2 (min)	d (±0.05)	A (±0.5)
5F	10	20	15	19	0.6	5.0
7F	8	30	15	19	0.6	3.5
10F	10	30	15	19	0.6	5.0
25F	16	25	15	19	0.8	7.5
60F	18	40	15	19	0.8	7.5

Product & Spec.

Rated Capacitance	Internal Resistance (mΩ)		Max. Current (A)	Leakage Current (mA)	Stored Energy (Wh)	Specific Energy (Wh/kg)	Weight (g)	Part Number
	AC(1kHz)	DC						
Discharge with constant current at 25°C			1 sec discharge rate to 1/2V _R	72hours, 25°C	at V _R	Gravimetric		
5F	< 125	< 188	3.0	0.008	0.004	1.67	2.4	ESLSR-0005C0-002R3
7F	< 35	< 46	6.1	0.009	0.005	2.27	2.2	ESLLR-0007C0-002R3
10F	< 70	< 105	5.6	0.020	0.007	1.94	3.6	ESLSR-0010C0-002R3
25F	< 38	< 57	11.9	0.026	0.018	2.37	7.6	ESLSR-0025C0-002R3
60F	< 23	< 35	22.3	0.080	0.044	3.26	13.5	ESLSR-0060C0-002R3

Rated Voltage, V _R	2.3 V	
Surge Voltage	2.7 V	
Capacitance Tolerance	-10% / +20%	
Operating Temperature Range	-25 ~ 65 °C	ΔC < 30% and ΔESR < 4 times of initially measured value at 25°C, respectively
Storage Temperature Range	-40 ~ 85 °C	
Life Time at RT ⁽¹⁾	10 years	(1) ΔC < 30% and ΔESR < 1 times of initially specified value , respectively and LC < specified value
Cycle Life (25°C) ⁽¹⁾⁽²⁾	500,000 cycles	(2) Cycle : between rated voltage and half rated voltage under constant current at 25°C

* Life time is provisional value

© NESSCAP 2008. All Rights reserved. Design, Specifications are subjected to change without notice.